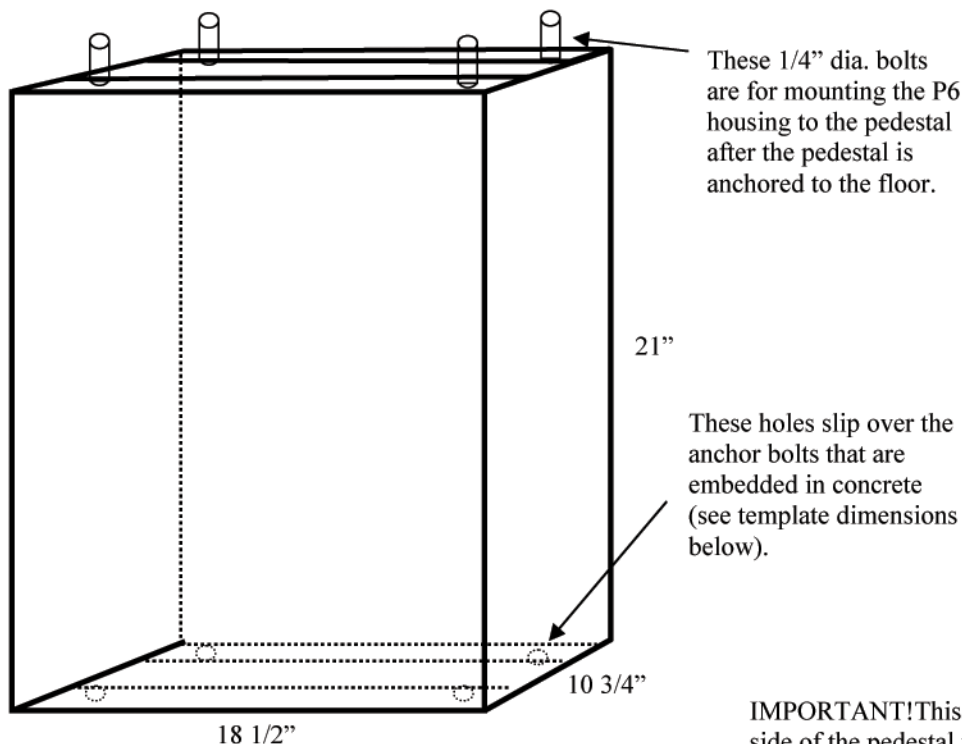


## Pedestal for SafePak P6 PayStation Kiosks



### Use 1/2" dia. Anchor Bolts

Embed your anchor bolts in concrete with 2" above floor level. Pedestal holes are 17 1/8" on center (left to right), 8" on center (front to back).

The pedestal is bolted to the floor, then the kiosk housing is bolted to the pedestal

**IMPORTANT!** This back side of the pedestal will sit away from the wall by 1 1/4", to allow for electrical and data cables. The kiosk housing (that sits on the pedestal) goes back 1 1/4" further than the pedestal and sits flush against the wall

