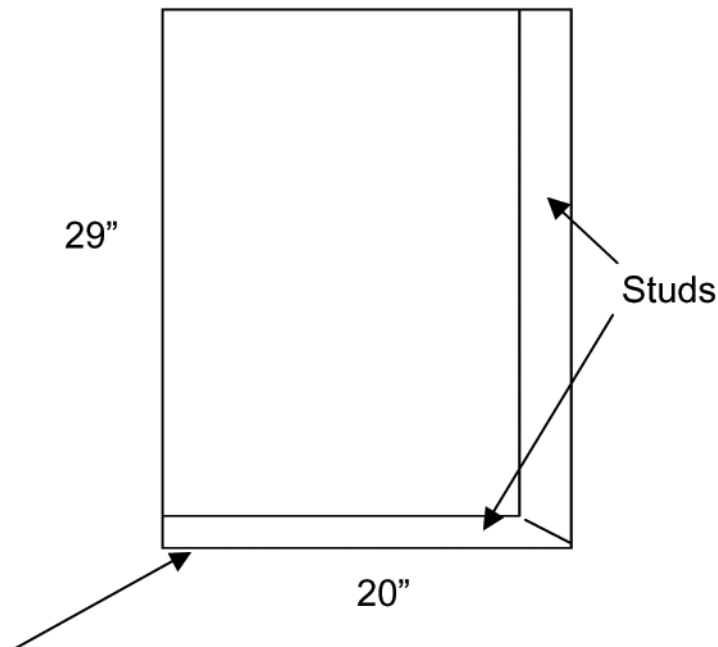


P5 PayStation "Manager Series"

Installation Wall Cut-out

IMPORTANT! Setup and test the PayStation before installing it in the wall.

Create a rectangular hole in the wall **20" wide x 29" high**. The PayStation will slide into this hole easily. Provide 110V power to the location. Fill-in any gaps between the outer wall and inner wall with studs. The P5 will be screwed to these studs later.



The bottom of the cut-out should be approximately 35" off the floor.

With someone standing at the back of the hole, and another at the front, slide the PayStation into the hole as far as you would like it to be in its final position. Mark the outside of the housing with a pencil to indicate where the wall meets the housing. Then pull the housing out far enough to drill holes for the lag bolts that will secure the housing to the wall. Before drilling (from the outside) be sure you are drilling holes in an area easily accessible on the inside. Cover the printer and other components so that metal shavings cannot get into their mechanism during drilling. Re-insert the housing into the hole, and secure it with lag bolts. Clean all debris from inside the housing and attach the various cables. Seal the outside edges (between the housing and wall) with caulking.

POWER AND DATA CABLES: If you are attaching the P5 to a Local Area Network (LAN) at your office, to transfer data between the P5 and your office computer, you need a standard ethernet cable that connects the P5 to the "hub". If you do not attach the P5 to a LAN, then provide an ethernet CROSSOVER cable from the PayStation directly to the office computer to transfer data between the two. An automatic-dial phone system is built into the PayStation. If this will be used for a "customer service line", provide a phone line to the location as well.

Note: If you choose to run the power, ethernet cable and phone line inside the wall, you can bring them into the PayStation through holes that are pre-cut at several places in the floor of the PayStation housing. An electrical outlet on the backside of the wall near the cut-out is okay too, since the PayStation housing extends through the wall by several inches. Lines can run up the wall into the bottom.

Installation questions? Please call SafePak at 503-542-0935 anytime.